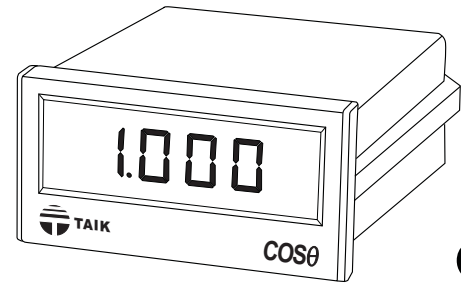


**MICROPROCESSOR DIGITAL POWER FACTOR METER****MODEL**
S2-312P
S2-312U**FEATURES**

- Resolution 0.001 COS θ , 0.1°
- Precision measurement even for unbalance system
- Easy-to-wire. screw-type terminals
- Outside dimension is DIN standard (96x48mm)

**SPECIFICATION**

Model: S2-312P for Power Factor meter
S2-312U for Phase Angle meter

• Input

Circuit	AC Input		Display
	Voltage	Ampere	
Single Phase	110V	5A • 1A	-0.5 ~ 1 ~ 0.5 (COS θ) or -60° ~ 0 ~ 60° (ϕ)
	220V		
3-Phase, 3-Wire	110V		
	220V		
3-Phase, 4-Wire	$\sqrt{3}$ 110V/110V		
	$\sqrt{3}$ 220V/220V		

Display 14.2mm (0.56") H, red LED

Max. input over capability Amp. 3 x rated continuous
10 x rated 30 seconds
50 x rated 1 second
Volt. 750V continuous

Accuracy $\pm 0.5\%$ F.S. $\pm 0.3^\circ$
(Option: Depending on actual measuring)

Input burden Volt. input ≤ 0.5 VA/Phase
Amp. Input ≤ 0.1 VA/Phase

Input frequency range 45 ~ 70HZ

Sampling time Abt. 0.8 sec.

Polarity "-" is LEAD side
Bank is LAG side

Aux. power source AC/DC 85 ~ 265V
DC 20 ~ 60V

Power consumption \leq AC 6.5 VA, \leq DC 5W

Operating temperature range 0 ~ 60°C

Storage temperature range -10 ~ 70°C

Max. relative humidity 95%

Dielectric strength (IEC 60688) AC 2KV/1 minute
Input to power terminals
AC 3KV/1 minute
All terminals to case

Connection diagram See page 23, figure G.

Dimensions See page 23, figure 01.

• Electromagnetic compatibility

Electrostatic discharge IEC 61000-4-2

Electromagnetic fields immunity IEC 61000-4-3

Electrical transient in burst IEC 61000-4-4

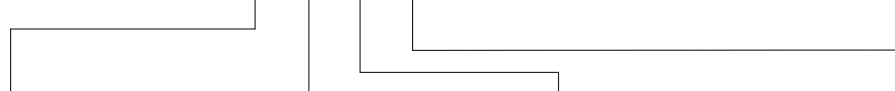
Withstanding impulse voltage IEC 61000-4-5

Immunity to voltage dips IEC 61000-4-11

ORDERING INFORMATION

S2-312P -

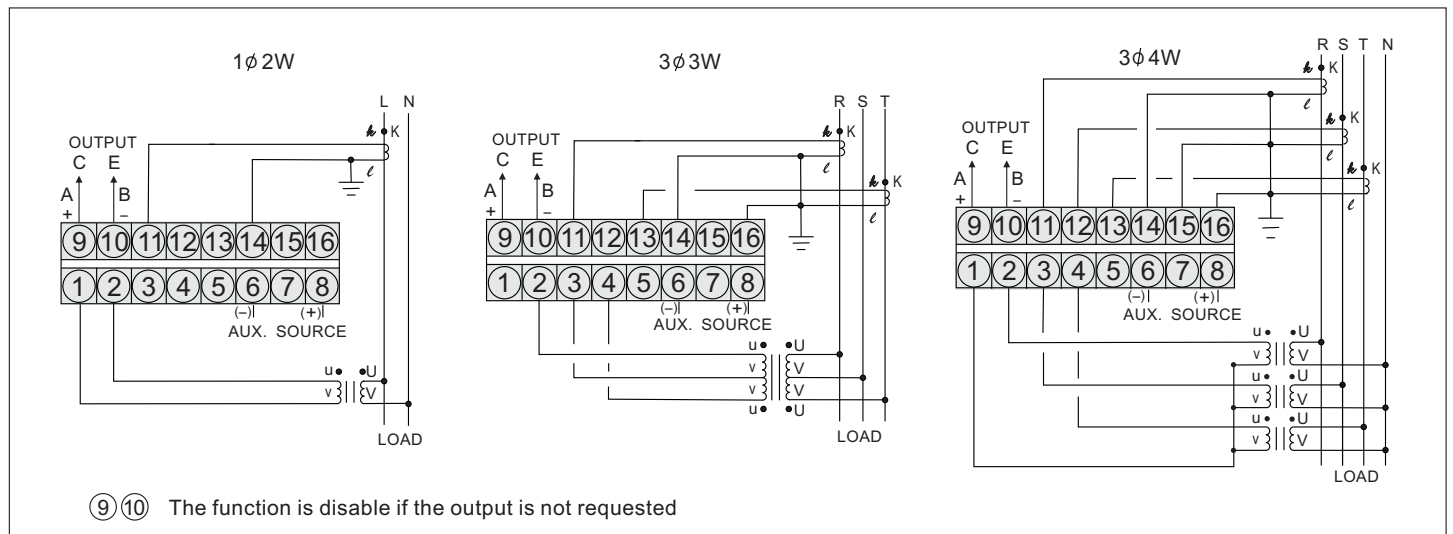
S2-312U -



Circuit	Input Voltage	Input Current	Aux. Power Source
12: single phase, 2-wire 13: single phase, 3-wire 33: 3-phase, 3-wire 34: 3-phase, 4-wire	1: AC 110V 2: AC 220V 3: AC $\sqrt{3}$ 110V/110V 4: AC $\sqrt{3}$ 220V/220V 0: Option	A: AC 5A B: AC 1A 0: Option	1: AC/DC 85 ~ 265V 2: DC 20 ~ 60V 0: Option

CONNECTION DIAGRAMS

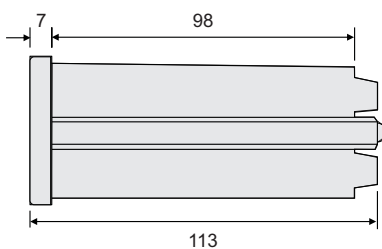
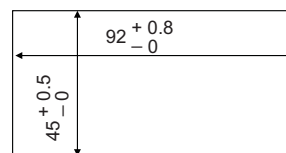
Figure G.



OUTSIDE DIMENSION (UNIT:mm)

Figure 01.

• PANEL CUT-OUT



 **TAIK ELECTRIC CO.,LTD.**



FM 40649