



FEATURES

- Accuracy: $\pm 0.1\%$ R.O.
- Wide input and output range selection
- Steady voltage, current and low ripple output
- Plug-in type

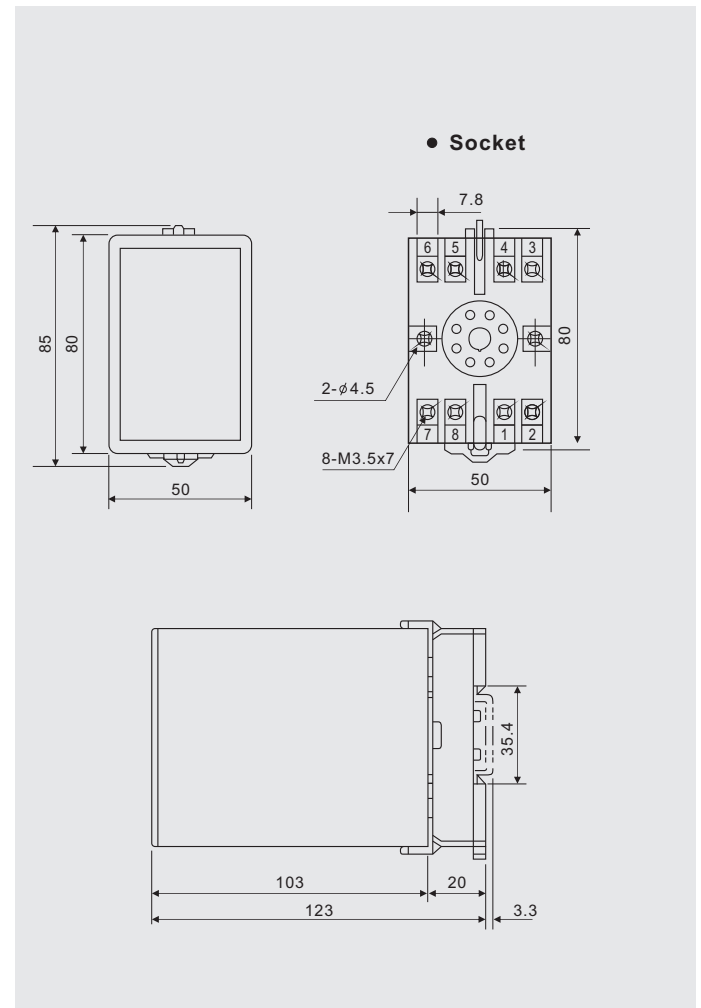
MODEL: S4 - DT - - - - F

NO.	DC Input Range	NO.	DC Output Range	Load R.	NO.	Power Supply
V1	0 ~ 10mV	10	0 ~ 100mV	$\cong 100K\Omega$	1	AC 110V
V2	0 ~ 100mV	11	0 ~ 1V	$\cong 500\Omega$	2	AC 220V
V3	0 ~ 1V	12	0 ~ 5V	$\cong 500\Omega$	3	DC 110V
V4	0 ~ 5V	13	0 ~ 10V	$\cong 500\Omega$	4	DC 48V
V5	1 ~ 5V	14	1 ~ 5V	$\cong 500\Omega$	5	DC 24V
V6	0 ~ 10V	15	-10 ~ 10V	$\cong 5K\Omega$	0	Option
V7	-10 ~ 10V	16	0 ~ 1mA	$\cong 10K\Omega$		
V8	0 ~ 100V	17	0 ~ 10mA	$\cong 1.5K\Omega$		
A1	0 ~ 1mA	18	0 ~ 20mA	$\cong 750\Omega$		
A2	0 ~ 10mA	19	4 ~ 20mA	$\cong 750\Omega$		
A3	0 ~ 20mA	20	20 ~ 4mA	$\cong 750\Omega$		
A4	4 ~ 20mA	00	Option			
00	Option					

SPECIFICATION

Accuracy	$\pm 0.1\%$ R.O.
Power supply	AC 110 V $\pm 15\%$, 50/60HZ AC 220 V $\pm 15\%$, 50/60HZ DC 24V,48V,110V $\pm 10\%$
Power consumption	AC $\cong 5VA$, DC $\cong 3W$
Input resistance	$\cong 100K\Omega(mV)$ $\cong 1M\Omega(V)$ $\cong 50\Omega(20mA)$
Response time	$\cong 500 \mu sec$
Output ripple	$\cong 0.5\%$ R.O.(peak-peak)
Span adjustment range	$\cong \pm 20\%$ R.O.
Zero adjustment range	$\cong \pm 10\%$ R.O.
Operating temperature rang	0 ~ 60°C
Storage temperature rang	-10 ~ 70°C
temperature rang coefficient	$\cong 150PPM/^{\circ}C$
Max. relative humidity	95%
Isolation	Input/Output/Power/Case
Insulation resistance	$\cong 100M\Omega$, DC 500 V
Dielectric strength	Input/Output/Power AC1.8KV/minute All terminal/Case AC1.8KV/minute
Impulse withstand test	3KV, 1.2 \times 50 μs Common mode & Differential mode

DIMENSIONS (UNIT : mm)



CONNECTION DIAGRAM

