

**SIGNAL ISOLATED TRANSMITTER(TWO OUTPUTS)****S4-DT  
SERIES****FEATURES**

- Accuracy:  $\pm 0.1\%$  R.O.
- Wide input and output range selection
- Steady voltage, current and low ripple output
- Plug-in type

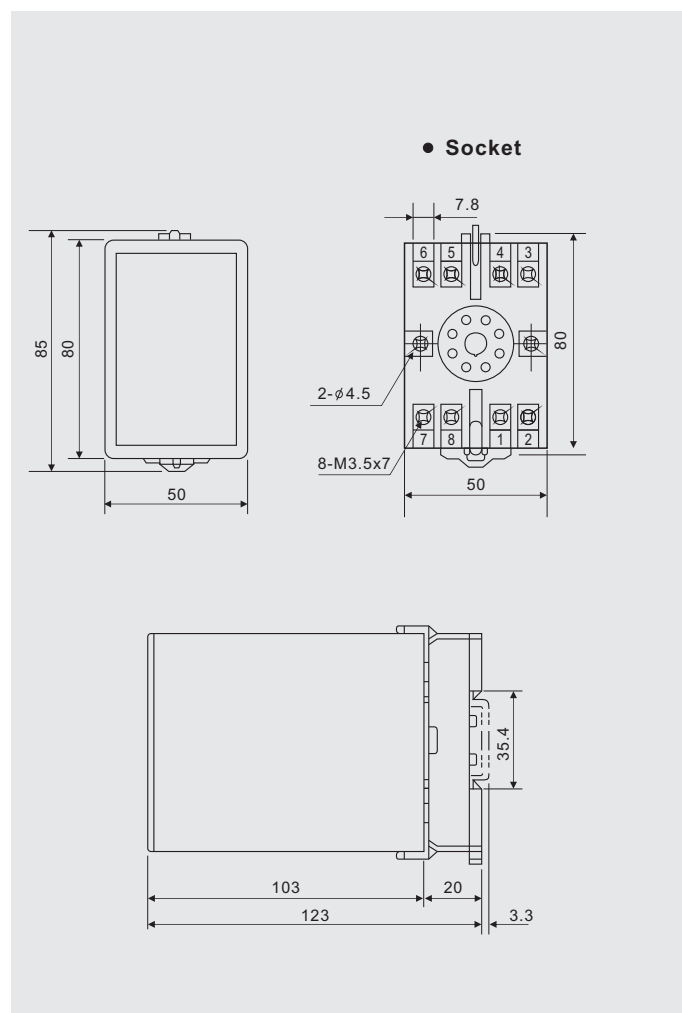


MODEL: S4 - DT - [ ] - [ ] - [ ] - [ ] - [D]

NO.	DC Input Range	NO.	DC Output 1 Range	NO.	DC Output 2 Range	Load R.	NO.	Power Supply
V1	0 ~ 10mV	10	0 ~ 100mV	10	0 ~ 100mV	$\geq 100K\Omega$	1	AC 110V
V2	0 ~ 100mV	11	0 ~ 1V	11	0 ~ 1V	$\geq 1K\Omega$	2	AC 220V
V3	0 ~ 1V	12	0 ~ 5V	12	0 ~ 5V	$\geq 1K\Omega$	3	DC 110V
V4	0 ~ 5V	13	0 ~ 10V	13	0 ~ 10V	$\geq 1K\Omega$	4	DC 48V
V5	1 ~ 5V	14	1 ~ 5V	14	1 ~ 5V	$\geq 1K\Omega$	5	DC 24V
V6	0 ~ 10V	16	0 ~ 1mA	16	0 ~ 1mA	$\geq 10K\Omega$	0	Option
V7	-10 ~ 10V	17	0 ~ 10mA	17	0 ~ 10mA	$\geq 1K\Omega$		
V8	0 ~ 100V	18	0 ~ 20mA	18	0 ~ 20mA	$\geq 500\Omega$		
A1	0 ~ 1mA	19	4 ~ 20mA	19	4 ~ 20mA	$\geq 500\Omega$		
A2	0 ~ 10mA	20	20 ~ 4mA	20	20 ~ 4mA	$\geq 500\Omega$		
A3	0 ~ 20mA	00	Option	00	Option			
A4	4 ~ 20mA							
00	Option							

**SPECIFICATION**

Accuracy	$\pm 0.1\%$ R.O.
Power supply	AC 110 V $\pm 15\%$ , 50/60HZ AC 220 V $\pm 15\%$ , 50/60HZ DC 24V, 48V, 110V $\pm 10\%$
Power consumption	AC $\leq 5VA$ , DC $\leq 3W$
Input resistance	$\geq 100K\Omega$ (mV) $\geq 1M\Omega$ (V) $\geq 50\Omega$ (20mA)
Response time	$\leq 400$ msec
Output ripple	$\leq 0.5\%$ R.O. (peak-peak)
Span adjustment range	$\geq \pm 20\%$ R.O.
Zero adjustment range	$\geq \pm 10\%$ R.O.
Operating temperature rang	0 ~ 60 °C
Storage temperature rang	-10 ~ 70 °C
temperature rang coefficient	$\leq 150PPM/^\circ C$
Max. relative humidity	95%
Isolation	Input/Output/Power/Case
Insulation resistance	$\geq 100M\Omega$ , DC 500 V
Dielectric strength	Input/Output/Power AC 1.8KV/minute All terminal/Case AC 1.8KV/minute
Impulse withstand test	3KV, 1.2 x 50 $\mu s$ Common mode & Differential mode

**DIMENSIONS (UNIT : mm)****CONNECTION DIAGRAM**