

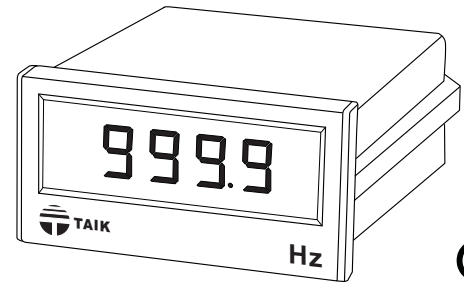


4 DIGITAL FREQUENCY METER

MODEL
S2-400F

FEATURES

- 4 digits display: 9999
- High accuracy: $\pm 0.05\%$
- Easy-to-wire. screw-type terminals
- Outside dimension is DIN standard (96x48mm)



SPECIFICATION

● Frequency Input

Measuring Range	Resolution	Input Impedance
99.99Hz	0.01Hz	$\geq 1M\Omega$
999.9Hz	0.1Hz	
9999Hz	1Hz	

Display.....14.2mm (0.56") H, red LED

Max. input over capability..... 600V for signal input

Accuracy..... $\pm 0.05\%$ F.S.
 (Option: Depending on actual measuring)

Sampling time..... Abt. 1 sec. typically

Aux. power source..... AC 110V/220V $\pm 15\%$, 50/60Hz
 DC24V,48V,110V $\pm 10\%$

Power consumption..... AC $\leq 3VA$,DC $\leq 3W$

Operating temperature range..... 0 ~ 60 °C

Storage temperature range..... -10 ~ 70 °C

Temperature coefficient..... $\leq 100ppm/^{\circ}C$

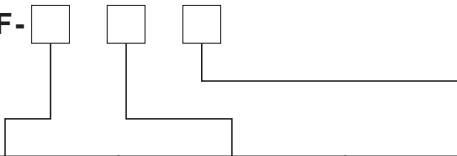
Max. relative humidity..... 95%

Dielectric strength (IEC 60688)..... AC 2KV/1 minute
 Input to power terminals
 AC 3KV/1 minute, all terminals to case

● Electromagnetic compatibility

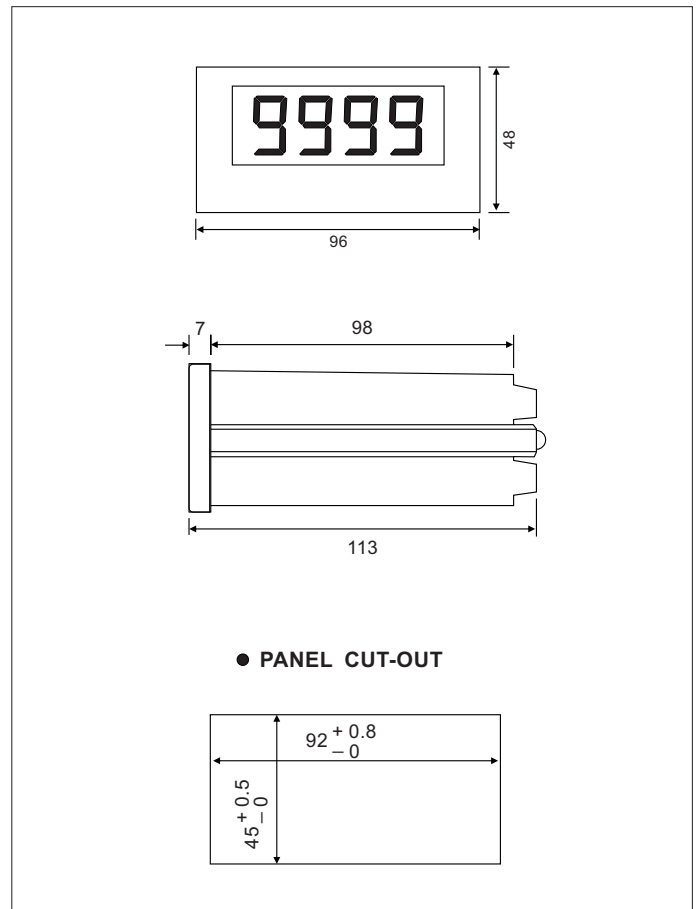
Withstanding impulse voltage.....IEC 61000-4-5

● ORDERING INFORMATION

S2-400F-


Measuring Range	Input Voltage	Aux. Power Source
1: 99.99HZ 2: 999.9HZ 3: 9999HZ	1: 2 ~ 30V 2: 90 ~ 600V 0: Option	1: AC 110V/220V 0: Option

OUTSIDE DIMENSION (UNIT:mm)



CONNECTION DIAGRAM

