

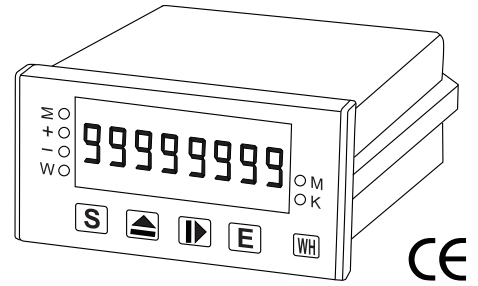


MICROPROCESSOR WATT(VAR) HOUR METER

MODEL
S2-800WH
S2-800RH

FEATURES

- 8 digits display: 99999999
- Accuracy: $\pm 0.3\%$
- Programmable adjustment for current, voltage transformers ratio
- Easy-to-wire. screw-type terminals
- Outside dimension is DIN standard (96x48mm)



SPECIFICATION

Input

Circuit	AC Input		Display (KWH/KVARH)
	Voltage	Ampere	
Single Phase	110V	5A	99999999 (Auto-change decimal point)
	220V		
3-Phase, 3-Wire	110V		
	220V		
3-Phase, 4-Wire	$\sqrt{3}$ 110V/110V		
	$\sqrt{3}$ 220V/220V		

- Display 9.1mm (0.36") H, red LED
- WATT/VAR display 4 digits (9999)
- Max. input over capability Amp. 3 x rated continuous
10 x rated 30 seconds
50 x rated 1 second
Volt. 750V continuous
- Accuracy $\pm 0.3\%$ F.S. ± 1 digit, PF ≥ 0.5
(Option: Depending on actual measuring)
- Input burden Volt. input ≤ 0.5 VA/Phase
Amp. Input ≤ 0.1 VA/Phase
- Input frequency range 45 ~ 70HZ
- Aux. power source AC/DC 85 ~ 265V
DC 20 ~ 60V
- Power consumption \leq AC 6.5VA, \leq DC 5W
- Operating temperature range 0 ~ 60°C
- Storage temperature range -10 ~ 70°C
- Temperature coefficient ≤ 150 PPM/°C
- Max. relative humidity 95%
- Memory time 10 years
- Dielectric strength (IEC 60688) AC 2KV/1 minute
Input to power terminals
AC 3KV/1 minute
All terminals to case

Electromagnetic compatibility

- Electrostatic discharge IEC 61000-4-2
- Electromagnetic fields immunity IEC 61000-4-3
- Electrical transient in burst IEC 61000-4-4
- Withstanding impulse voltage IEC 61000-4-5
- Immunity to voltage dips IEC 61000-4-11

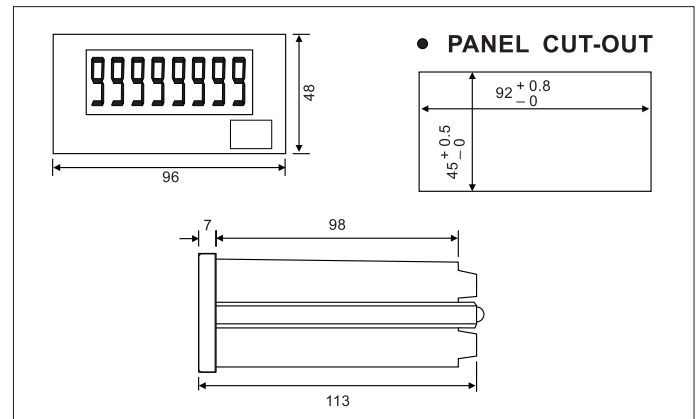
ORDERING INFORMATION

S2-800WH

S2-800RH

Circuit	Input Voltage	Input Current	Aux. Power Source
12: 1 Φ 2W	1: AC 110V	A: AC 5A	1: AC/DC 85 ~ 265V
13: 1 Φ 3W	2: AC 220V	B: AC 1A	2: DC 20 ~ 60V
33: 3 Φ 3W	3: AC $\sqrt{3}$ 110V/110V	0: Option	0: Option
34: 3 Φ 4W	4: AC $\sqrt{3}$ 220V/220V		
	0: Option		

OUTSIDE DIMENSION (UNIT:mm)



CONNECTION DIAGRAMS

