

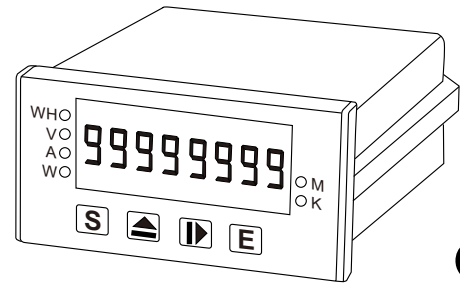


MICROPROCESSOR DC POWER METER

MODEL
S2-800DT

FEATURES

- Display: 99999999(WH)
- Display: 9999(V. A. W)
- Accuracy: $\pm 0.5\%$ F.S.
- Programmable process rate monitor
- Easy-to-wire, screw-type terminals
- Input/Output/Power/Case is isolated
- Outside dimension is DIN standard (96x48mm)



SPECIFICATION

• Communication

Interface.....	RS 485
Protocol	MODBUS, RTU
Baud rate	1200 ~ 38400
Address range	1 ~ 255
Data format	N82, O81, E81, N81

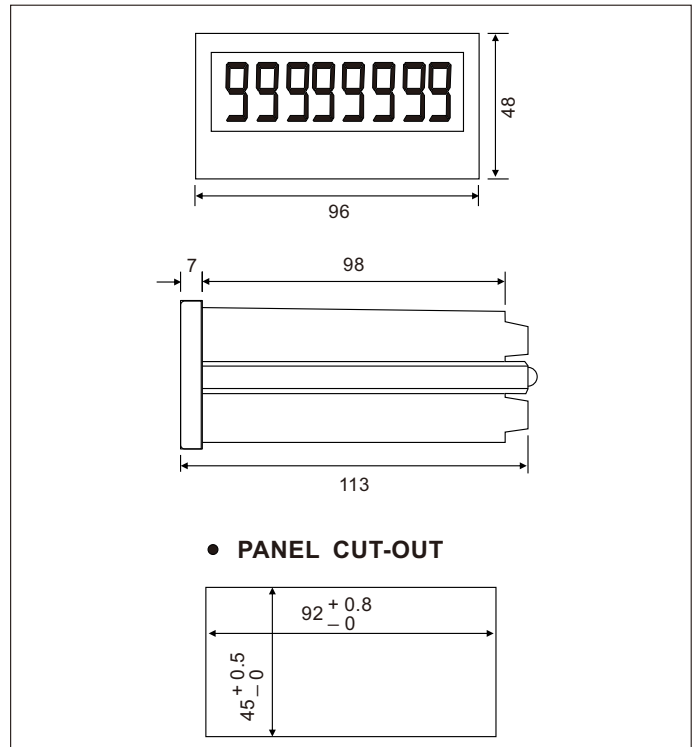
• General

Display	9.1mm (0.36") H, red LED
Max. input over capability	Amp. 3 x rated continuous 10 x rated 30 seconds 50 x rated 1second Volt. 1000V continuous
Accuracy	$\pm 0.5\%$ F.S. ± 2 digits
Sampling time	Abt. 0.8 sec. Typically
Input burden	Volt. input ≤ 0.5 VA/Phase Amp. Input ≤ 0.5 VA/Phase
Aux. power source	AC/DC 85 ~ 265V DC 20 ~ 60V
Power consumption	\leq AC 6VA, \leq DC 3W
Operating temperature range	0 ~ 60°C
Storage temperature range	- 10 ~ 70°C
Temperature coefficient	≤ 150 PPM/°C
Max. relative humidity	95%
Memory backup	FRAM
Memory times	≥ 10 years
Dielectric strength (IEC 60688)	AC 2KV/1 minute Input/output/power terminates AC 3KV/1 minute All terminals to case

• Electromagnetic compatibility

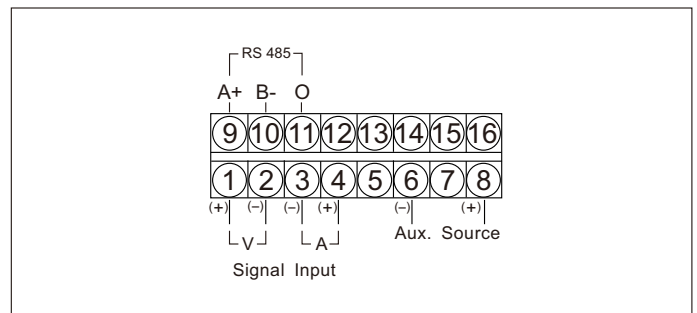
Electrostatic discharge	IEC 61000-4-2
Electromagnetic fields immunity	IEC 61000-4-3
Electrical transient in burst	IEC 61000-4-4
Withstanding impulse voltage	IEC 61000-4-5
Immunity to voltage dips	IEC 61000-4-11

OUTSIDE DIMENSION (UNIT:mm)



• PANEL CUT-OUT

CONNECTION DIAGRAM



ORDERING INFORMATION

S2-800DT-

Input Voltage	Input Current	RS 485 Output	Aux. Power Source
1: DC 100V 2: DC 600V 3: DC 1000V 0: Option	1: DC 50mV 4: DC 5A 2: DC 60mV 5: DC 10A 3: DC 1A 0: Option	Y: Yes N: None	1: AC/DC 85 ~ 265V 2: DC 20 ~ 60V 0: Option