



SPEED (FREQUENCY) ISOLATED TRANSMITTER

S4-RT
SERIES



FEATURES

- Accuracy: $\pm 0.1\%$ R.O.
- Wide input and output range selection
- Steady voltage, current and low ripple output
- Plug-in type

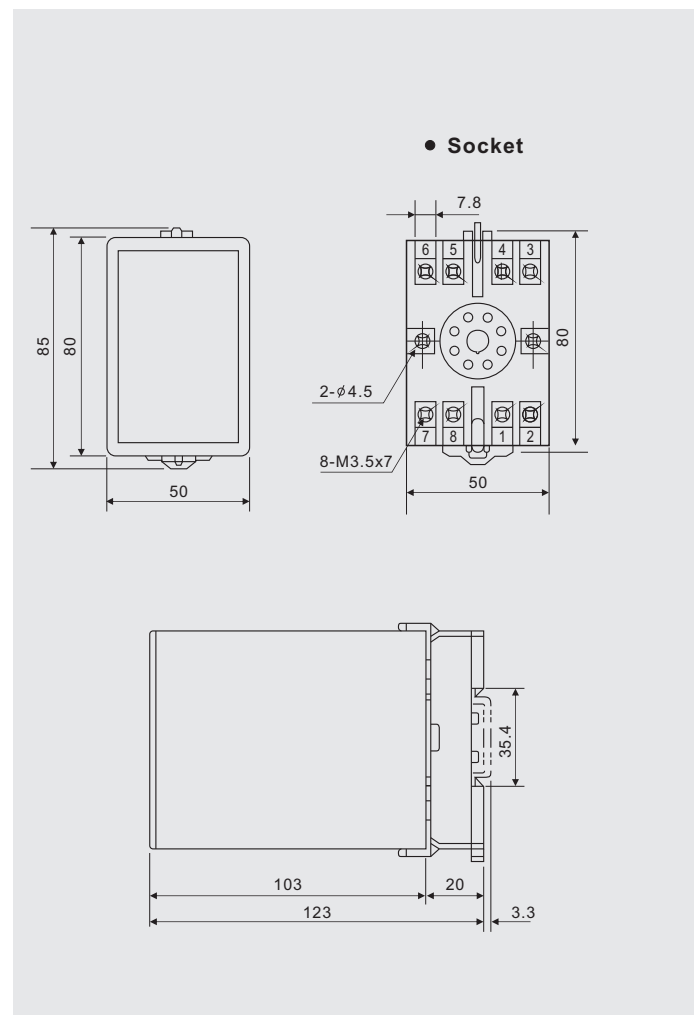
MODEL: S4 - RT - [] - [] - [] - []

NO	Input Range	NO.	Input Voltage	NO.	DC Output Range	Load R.	NO.	Power Supply
A	0 ~ 50Hz	1	0 ~ 12V	A	0 ~ 1V	$\cong 500\Omega$	1	AC 110V
B	0 ~ 100Hz	2	0 ~ 25V	B	0 ~ 5V	$\cong 500\Omega$	2	AC 220V
C	0 ~ 200Hz	3	0 ~ 50V	C	0 ~ 10V	$\cong 500\Omega$	3	DC 110V
D	0 ~ 500Hz	4	0 ~ 100V	D	1 ~ 5V	$\cong 500\Omega$	4	DC 48V
E	0 ~ 1KHz	5	0 ~ 200V	E	0 ~ 1mA	$\cong 10K\Omega$	5	DC 24V
F	0 ~ 2KHz	0	Option	F	0 ~ 10mA	$\cong 1.5K\Omega$	0	Option
G	0 ~ 5KHz			G	0 ~ 20mA	$\cong 750\Omega$		
H	0 ~ 10KHz			H	4 ~ 20mA	$\cong 750\Omega$		
O	Option			O	Option			

SPECIFICATION

Accuracy: $\pm 0.1\%$ R.O.
 Power supply: AC 110 V $\pm 15\%$, 50/60HZ
 AC 220 V $\pm 15\%$, 50/60HZ
 DC 24V, 48V, 110V $\pm 10\%$
 Power consumption: AC $\leq 5VA$, DC $\leq 3W$
 Excitation: DC 12V, less than 30mA
 Response time: ≤ 400 msec
 Output ripple: $\leq 0.5\%$ R.O. (peak-peak)
 Span adjustment range: $\cong \pm 20\%$ R.O.
 Zero adjustment range: $\cong \pm 10\%$ R.O.
 Operating temperature rang: 0 ~ 60°C
 Storage temperature rang: -10 ~ 70°C
 temperature rang coefficient: $\leq 150PPM/^\circ C$
 Max. relative humidity: 95%
 Isolation: Input/Output/Power/Case
 Insulation resistance: $\cong 100M\Omega$, DC 500 V
 Dielectric strength: Input/Output/Power AC 1.8KV/minute
 All terminal/Case AC 1.8KV/minute
 Impulse withstand test: 3KV, 1.2 x 50 μs
 Common mode & Differential mode

DIMENSIONS (UNIT : mm)



CONNECTION DIAGRAM

