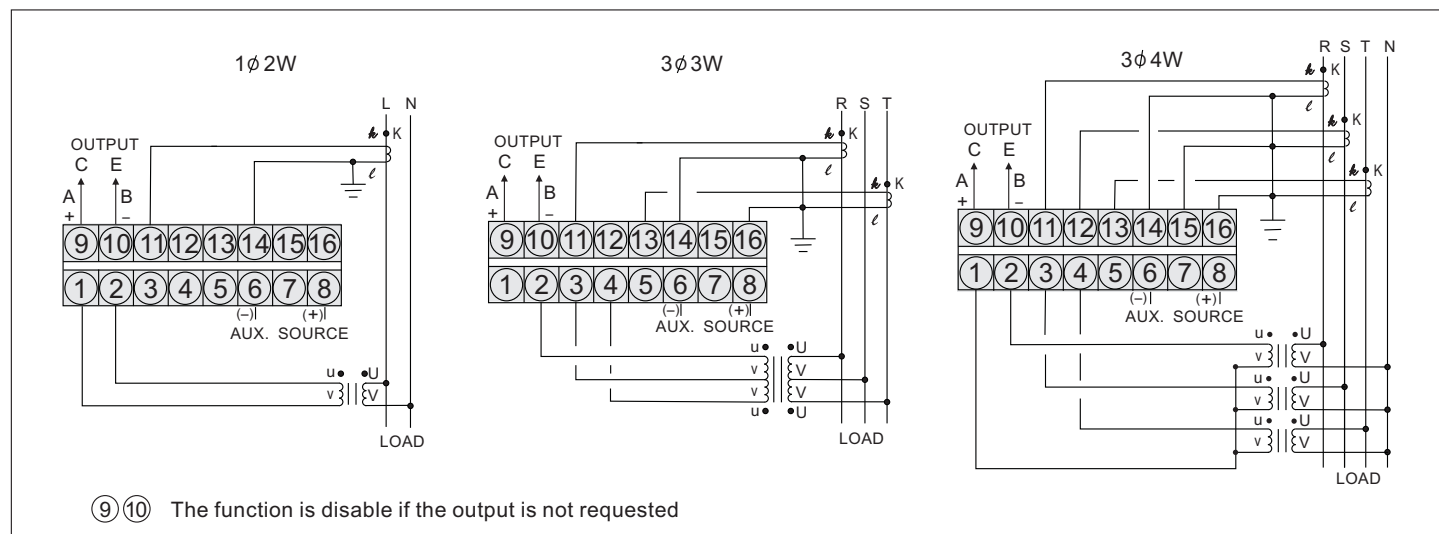




# CONNECTION DIAGRAMS

Figure G.



# OUTSIDE DIMENSION (UNIT:mm)

Figure 01.

• PANEL CUT-OUT

