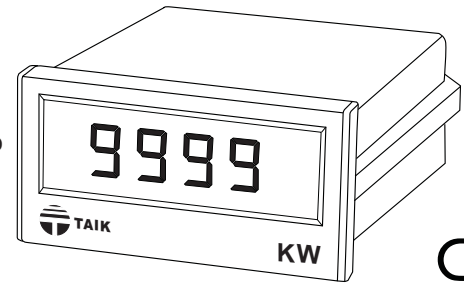
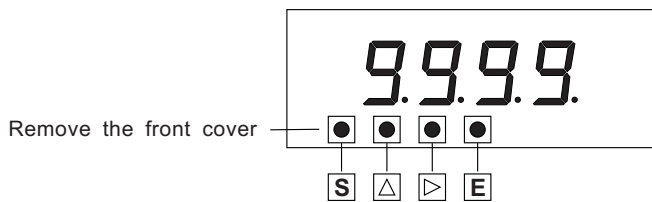


**MICROPROCESS DIGITAL WATT(VAR) METER****MODEL**
S2-334W
S2-334R**FEATURES**

- 4 digits display: ± 9999
- Accuracy: $\pm 0.25\%$
- Programmable adjustment for current, voltage transformers ratio
- Precision measurement even for unbalance system
- Easy-to-wire. screw-type terminals
- Outside dimension is DIN standard (96x48mm)

**SPECIFICATION****• Input**

Circuit	AC Input		Basic Watt/VAR
	Voltage	Ampere	
Single Phase	110V	5A	0.5KW/ ± 0.5 KVAR
	220V		1KW/ ± 1 KVAR
3-Phase, 3-Wire	110V		1KW/ ± 1 KVAR
	220V		2KW/ ± 2 KVAR
3-Phase, 4-Wire	$3\sqrt{110V/110V}$		1.5KW/ ± 1.5 KVAR
	$3\sqrt{220V/220V}$		3KW/ ± 3 KVAR

• Display (Programmable process)

- [S]: Press [S] to enter the setting process
 [Δ]: Press [Δ] to change the value as required
 [▷]: Press [▷] to move on the LED digit as required
 [E]: Press [E] to confirm the setting value and function

* All details on operation must refer to the instruction manual

• Electromagnetic compatibility

Electrostatic discharge	IEC 61000-4-2
Electromagnetic fields immunity	IEC 61000-4-3
Electrical transient in burst	IEC 61000-4-4
Withstanding impulse voltage	IEC 61000-4-5
Immunity to voltage dips	IEC 61000-4-11

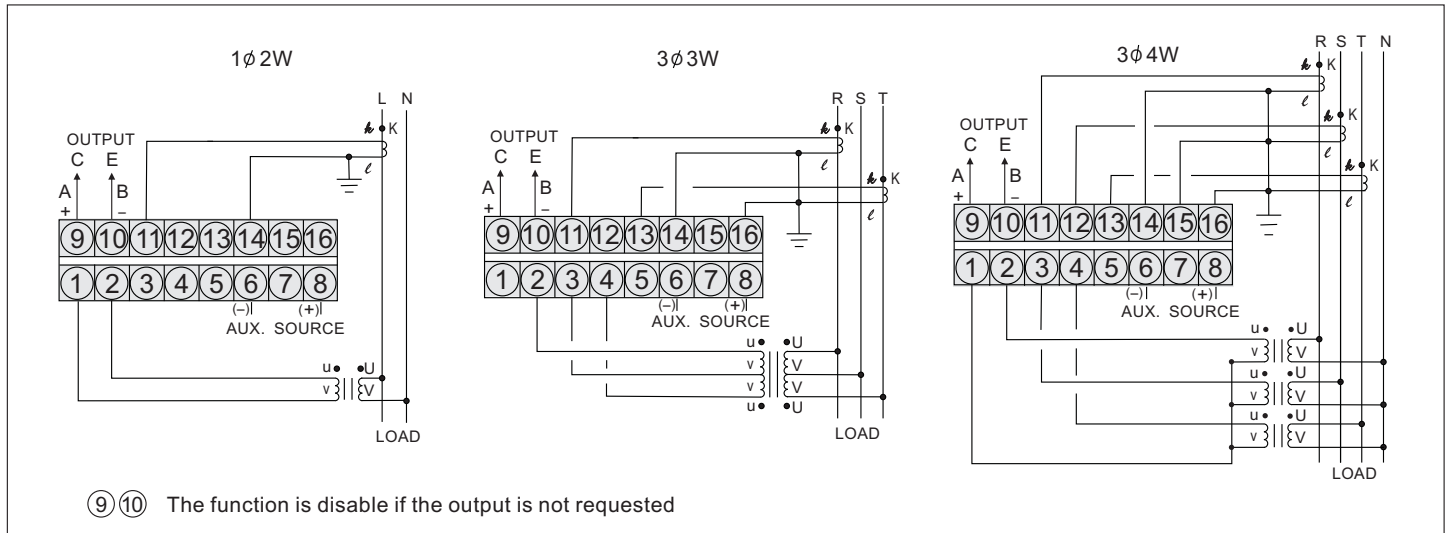
Display	14.2mm (0.56") H, red LED
Max. input over capability	Amp. 3 x rated continuous 10 x rated 30 seconds 50 x rated 1 second Volt. 750V continuous
Accuracy	$\pm 0.25\%$ F.S. ± 3 digits, PF ≥ 0.5 (Option: Depending on actual measuring)
Input burden	Volt. input ≤ 0.5 VA/Phase Amp. Input ≤ 0.1 VA/Phase
Input frequency range	45 ~ 70HZ
Sampling time	Abt. 0.8 sec. Typically
Polarity	Only "-" display
Aux. power source	AC/DC 85 ~ 265V DC 20 ~ 60V
Power consumption	\leq AC 6.5VA, \leq DC 5W
Power effect	$\leq 0.1\%$
Operating temperature range	0 ~ 60°C
Storage temperature range	-10 ~ 70°C
Temperature coefficient	≤ 150 PPM/°C
Max. relative humidity	95%
Dielectric strength (IEC 60688)	AC 2KV/1 minute Input to power terminals AC 3KV/1 minute All terminals to case
Connection diagram	See page 23, figure G.
Dimensions	See page 23, figure 01.

ORDERING INFORMATIONS2-334W-
S2-334R-

Circuit	Input Voltage	Input Current	Aux. Power Source
12: single phase, 2-wire 13: single phase, 3-wire 33: 3-phase, 3-wire 34: 3-phase, 4-wire	1: AC 110V 2: AC 220V 3: AC $\sqrt{3}$ 110V/110V 4: AC $\sqrt{3}$ 220V/220V 0: Option	A: AC 5A B: AC 1A 0: Option	1: AC /DC 85 ~ 265V 2: DC 20 ~ 60V 0: Option

CONNECTION DIAGRAMS

Figure G.



OUTSIDE DIMENSION (UNIT:mm)

Figure 01.

• PANEL CUT-OUT

