



# POTENTIOMETER ISOLATED TRANSMITTER

**S4-PT**  
SERIES



## FEATURES

- Accuracy:  $\pm 0.1\%$  R.O.
- Input potentiometer: total resistance  $100\Omega \sim 10K\Omega$  (0 ~ 100%)
- Steady voltage, current and low ripple output
- Plug-in type

■ MODEL: S4 - PT - [ ] - [ ] - [ ]

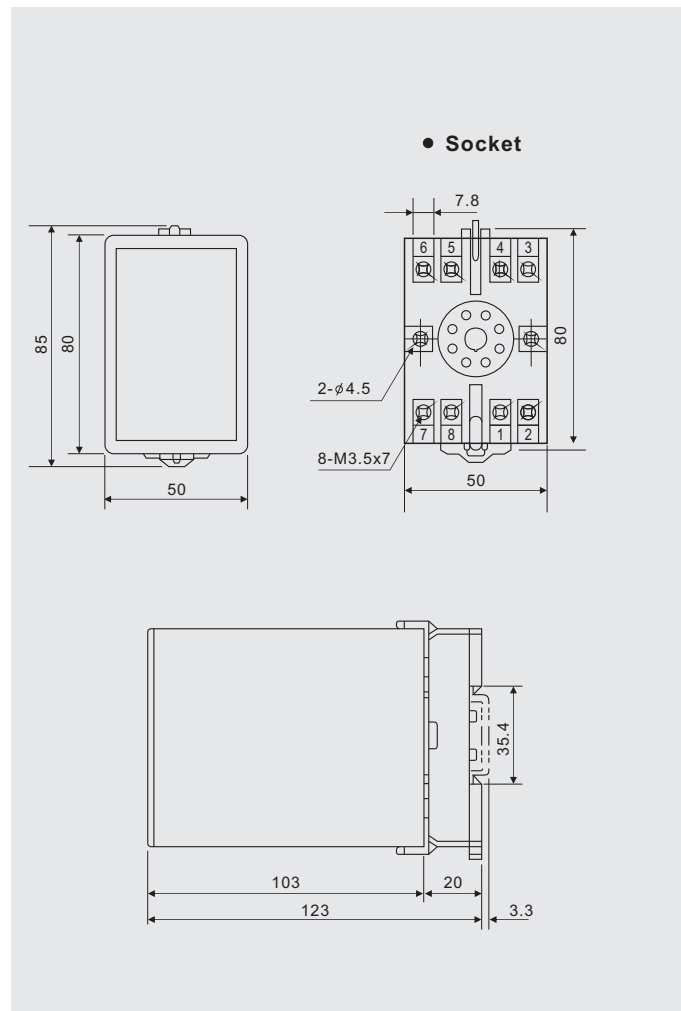
NO.	Input Range	NO.	DC Output Range	Load R.	NO.	Power Supply
1	0 ~ 100%	1	0 ~ 1V	$\cong 500\Omega$	1	AC 110V
0	Option	2	0 ~ 5V	$\cong 500\Omega$	2	AC 220V
		3	0 ~ 10V	$\cong 500\Omega$	3	DC 110V
		4	1 ~ 5V	$\cong 500\Omega$	4	DC 48V
		5	0 ~ 1mA	$\cong 10K\Omega$	5	DC 24V
		6	0 ~ 10mA	$\cong 1.5K\Omega$	0	Option
		7	0 ~ 20mA	$\cong 750\Omega$		
		8	4 ~ 20mA	$\cong 750\Omega$		
		0	Option			

\*Input potentiometer(0 ~ 100%): total resistance  $100\Omega \sim 10K\Omega$

## SPECIFICATION

Accuracy:  $\pm 0.1\%$  R.O.  
 Power supply: AC 110 V  $\pm 15\%$ , 50/60HZ  
 AC 220 V  $\pm 15\%$ , 50/60HZ  
 DC 24V, 48V, 110V  $\pm 10\%$   
 Power consumption: AC  $\leq 5VA$ , DC  $\leq 3W$   
 Response time:  $\leq 400$  msec.  
 Output ripple:  $\leq 0.5\%$  R.O. (peak-peak)  
 Span adjustment range:  $\cong \pm 20\%$  R.O.  
 Zero adjustment range:  $\cong \pm 10\%$  R.O.  
 Operating temperature rang: 0 ~ 60 °C  
 Storage temperature rang: -10 ~ 70 °C  
 temperature rang coefficient:  $\leq 150PPM/^\circ C$   
 Max. relative humidity: 95%  
 Isolation: Input/Output/Power/Case  
 Insulation resistance:  $\geq 100M\Omega$ , DC 500 V  
 Dielectric strength: Input/Output/Power AC 1.8KV/minute  
 All terminal/Case AC 1.8KV/minute  
 Impulse withstand test: 3KV, 1.2 x 50  $\mu s$   
 Common mode & Differential mode

## DIMENSIONS (UNIT : mm)



## CONNECTION DIAGRAM

